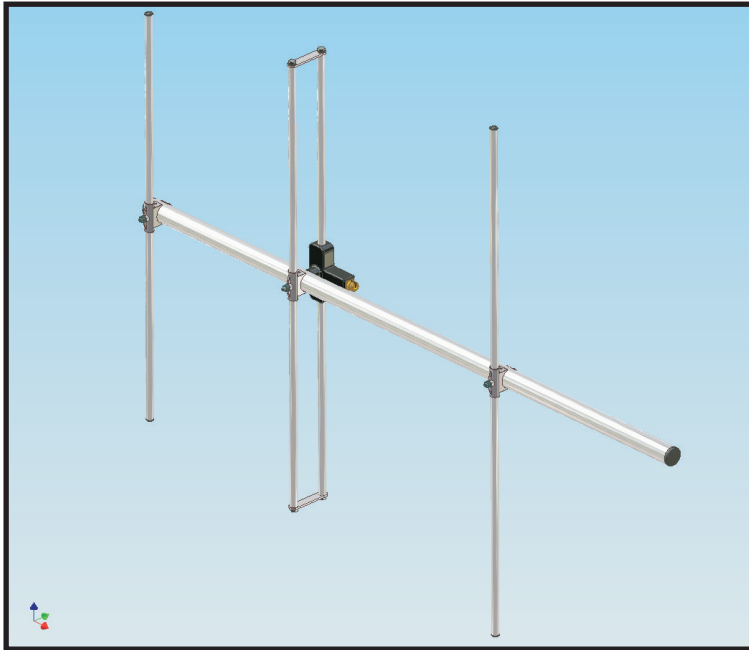


Type n° T-DY03.147/167

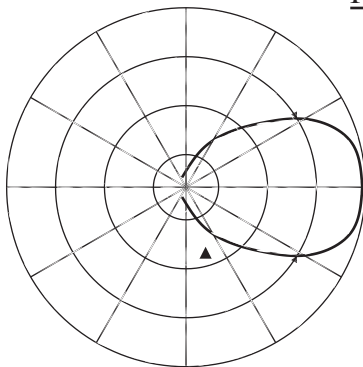
YAGI ANTENNA 3 ELEMENTS: 147/167 MHz



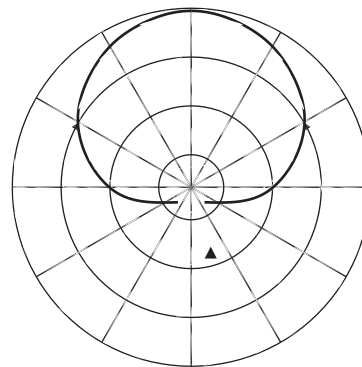
TECHNICAL SPECIFICATIONS

Elements number:	3
Impedance (Ohms):	50
Frequency range:	147 ÷ 167 MHz
V.S.W.R.:	less than 1.5
Beamwidth -3 dB:	See "RADIATION CURVE"
Polarization:	Vertical or Horizontal
Connector:	N-female
Front to Back ratio:	more than 16 dB
Mounting:	on masts from 30 to 60 mm diam.
Gain (dBi):	7
Max power (W):	150
Wind resistance:	160 Km/Hr
Temperature (°C):	-40° - +85°
Dimensions (mm):	980 x 1215
Net weight (g):	2700
Material	
Boom:	Aluminium alloy EN AW-6082
Elements:	Aluminium alloy EN AW-6060
Screws and nuts:	Stainless steel

RADIATION PATTERN

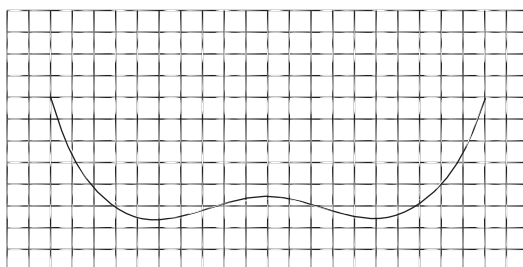


E-PLANE



H-PLANE

V.S.W.R.



GAIN

